

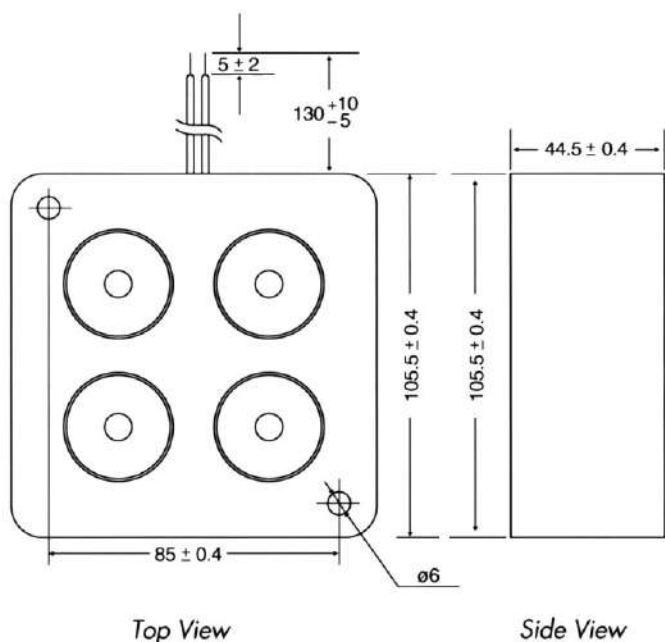
PIEZO SOUND BUZZER II

Material of Case: ABS

Colour: Ivory

Operating Temperature: -20°C +60°C

Storage Temperature: -30°C +70°C



Electrical Specifications

Model No.	19T3120	19T3240	19R3120	19R3240
Operating Voltage (VDC)	6-15	16-28	6-15	16-28
Rated Voltage (VDC)	12	24	12	24
Max. Current at Rated Voltage (mA)	190	190	190	190
Frequency (KHz)	(2.6-2.8)±0.5	(2.6-2.8)±0.5	(1.5-3.1)±0.5	(1.5-3.1)±0.5
Min. Sound Pressure at Rated Voltage (dBA/3M)	102	102	97	97
Tone	TWO	TWO	SIREN	SIREN
Pulse Rate at Rated Voltage (Pulse/Sec)	NIL	NIL	NIL	NIL
Terminal	LEAD	LEAD	LEAD	LEAD

CHARACTERISTICS

